

THH HEATSTRIP: ELECTRIC RADIANT OUTDOOR HEATER

INSTALLATION, OPERATION & MAINTENANCE MANUAL

(EUROPE / UNITED KINGDOM / NEW ZEALAND)

THH HEATSTRIP MODEL CODES

MODELS	WATTS	DIMENSIONS	RATING
THH 1200, THH 1200SS	1200	680 x 172 x 45mm	230V 50Hz a.c
THH 1500, THH 1500SS	1500	850 x 172 x 45mm	230V 50Hz a.c
THH 1800, THH 1800SS	1800	1010 x 172 x 45mm	230V 50Hz a.c
THH 2400, THH 2400SS	2400	1330 x 172 x 45mm	230V 50Hz a.c
THH 3200, THH 3200SS	3200	1770 x 172 x 45mm	230V 50Hz a.c

Note: THH series HEATSTRIPS have an IPX5 rating for protection against water ingress. Prior to installing and operating the heater, read these instructions carefully and retain for future reference.

PREPARATION

1. The THH Series HEATSTRIPS are high intensity Radiant Strip Heaters designed for Domestic / Commercial heating applications within indoor or outdoor undercover areas, and should not be used for any other purpose.
2. Before commencing installation, make sure the electrical supply voltage is the same as that shown on the rating plate of the heater.
3. The heater is fitted with a length of flexible cable for electrical connection. The heater should be connected as a fixed installation by a licensed electrical person, according to the relevant electrical standards.
4. All pole disconnection from the supply mains must be provided in fixed wiring in accordance with the wiring rules.
5. This appliance must be earthed.
6. The heater is required to be fitted with an "ON/OFF isolation switch and can also be controlled via thermostat, timer or dimmer type control. A wall switch should be installed on fixed wire installations. Optional connection to a R.C.D is recommended.
7. If the supply lead is damaged, the appliance should be scrapped. In case of heater fault, the appliance must be returned to the distributor / manufacturer for repair.

INSTALLATION LOCATION

For both wall and ceiling mounting, the lowest part of the heater must be located a minimum of 2100mm above floor level.

The heater must not be closer than 300mm to adjacent walls, with a minimum of 60mm between back of heater and any surface.

Allow 1000mm from the bottom of the heater to any surface below.

Do not allow thermal insulation, cables, flammable materials or any other items to come into contact with any surface of the heater; purpose design brackets excluded.

The heater must not be located immediately below a socket outlet.

If installed in wet areas, the heater must be installed so that switches and other controls cannot be touched by persons in the bath or shower.

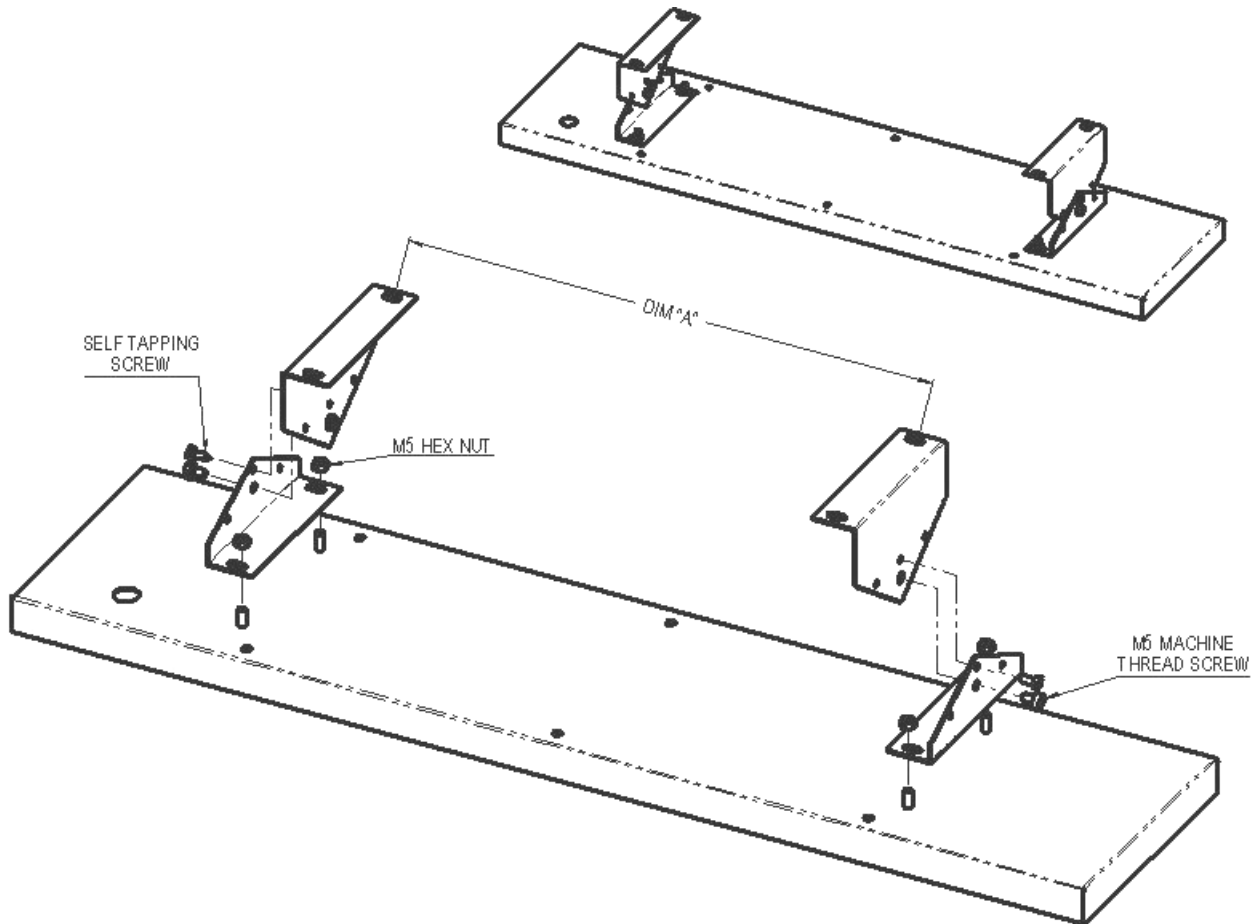
HEATSTRIP™ 

THERMOFILM AUSTRALIA PTY LTD
27 Rosalie Street, Springvale VIC 3178 Australia
P: +61 3 9562 3455 F: +61 3 9548 3979
info@thermofilm.com.au www.thermofilm.com.au



MOUNTING INSTRUCTIONS

- Using the centre distances shown in DIM "A", mount the brackets to the ceiling or wall.
- Ensure fixing method will adequately support weight of heater.
- Then, fix brackets to heater using the nuts provided on the studs at rear of heater.
- Ensure screw fixing two halves of bracket is fully tightened.
- Use the two small self tapping screws to lock the two halves of the bracket at the desired angle.
- The heating surface must never be directed toward the ceiling.
- The power cable must be at the lower end of the heater if the heater is installed at an angle.



MODEL	DIM "A"
THH 1200	300mm
THH 1500	300mm
THH 1800	600mm
THH 2400	600mm
THH 3200	900mm

OPERATION INSTRUCTIONS TO BE KEPT BY THE USER OF THIS APPLIANCE

The heater is required to be fitted with an "ON/OFF" isolation switch and can also be controlled via thermostat, timer or dimmer type control.

Once the unit is turned On via a switch or other control device, it will take approximately 10 minutes to warm up to normal operating temperature.

Make sure the unit is turned OFF after use.

Note: THH series HEATSTRIPS have an IPX5 rating for protection against water ingress.

CAUTION

- The front panel of the heater can reach temperatures of up to 380°c.
- Do not touch any part of the heater while in operation or for 30 minutes after turning off.
- This appliance is not intended for use by young children or infirm persons.
- Caution must be exercised when operating this appliance.
- Do not allow any cables, furnishings, flammable materials or other items to come into contact with any surface of the heater.
- The heater must have a minimum 300mm clearance to adjacent walls and minimum 60mm clearance from the back of the heater to any mounted surface.
- Do not operate heater unless there is a clearance of 1000mm or more from bottom of the heater to any surface below.
- The heater should be connected as a fixed installation by a licensed electrical person, according to the relevant electrical standards.
- All pole disconnection from the supply mains must be provided in fixed wiring in accordance with the wiring rules.
- The heater must not be located immediately below a socket outlet.
- If installed in wet areas, the heater must be installed so that switches and other controls cannot be touched by persons in the bath or shower.
- If the supply lead is damaged, the appliance should be scrapped.
- In case of heater fault, the appliance must be returned to the distributor / manufacturer for repair.

CLEANING & GENERAL MAINTENANCE

It is important that THH HEATSTRIP units installed in outdoor locations are regularly cleaned to ensure a long and efficient operating life.

In coastal locations in particular, salt in the air can cause rusting and staining of metal. Even in city locations, pollution in the air can also contaminate surfaces and will affect the ability of the coatings and material of your THH HEATSTRIP to protect from rust and stains. This applies to both the painted and stainless steel models.

As the THH HEATSTRIP has a protection rating for water ingress of IPX-5, they can be safely washed and cleaned with water.

The heater can be lightly sprayed with a hose, but the preferred method of cleaning is to rinse the heaters using a soft cloth with warm water and a mild detergent. Ensure any soap residue is rinsed off after cleaning.

CAUTION:

- Before any cleaning activity, the heater must be switched off and cooled down completely. (The heaters can be turned on briefly after washing to dry them off quickly.)
- **DO NOT** use a high pressure hose or high pressure water equipment to clean the heaters.
- As a guide, THH HEATSTRIP units should be cleaned whenever you are cleaning the outdoor furniture in the same area. In coastal areas, an additional rinsing on a fortnightly basis with a light spray from a hose will provide extra protection.

HEATSTRIP™



THERMOFILM AUSTRALIA PTY LTD
27 Rosalie Street, Springvale VIC 3178 Australia
P: +61 3 9562 3455 F: +61 3 9548 3979
info@thermofilm.com.au www.thermofilm.com.au

